

# Low cost geared dc servo motors

# IP / M500 series

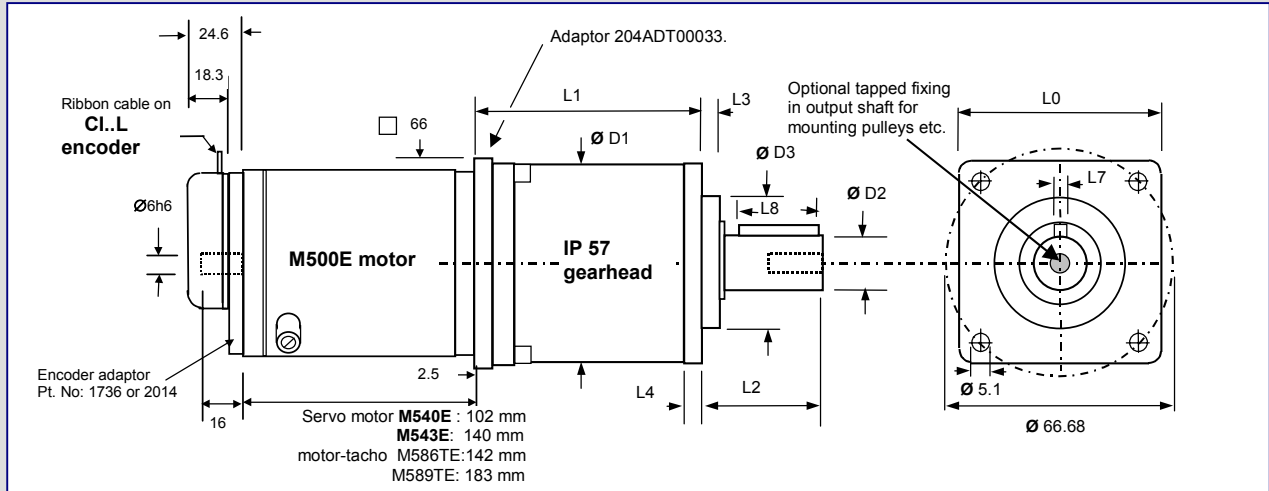
The IP / M500 series geared dc servo motors utilise a high strength planetary gearhead.

**Features:**

- Low cost due to advanced design and manufacturing techniques
- Controlled backlash for accurate positioning
- High continuous and peak torque capacity
- Wide range of motor options including encoder and tacho feedback
- Wide range of standard gear ratios
- Ideal for packaging systems, conveyors and general purpose industrial systems



**Dimensions: mm**



Gearhead model		IP57			IP57		
		MO1	MO2	MO3	M01	M02	M03
using motor		M540			M543		
using motor-tacho		M586			M589		
Gearhead flange square	L0	57.2			57.2		
Gearhead Length	L1						
Ratios 3:1 4:1		60.7			74.2		
10:1		74.2			74.2		
25:1			72.7			86.45	
50:1 100:1			86.45			86.45	
250:1 500:1 1000:1				99.45			99.45
Shaft length from flange	L2				25.4		
Output Register length	L3				1.6		
Flange thickness	L4				5.2		
Input register length	L5				2.5		
Output shaft Key width	L7				3.2		
Output shaft key length	L8				19		
<b>Diametric dimensions</b>							
Gearhead diameter	D1				57.2		
Output shaft diameter	D2				12.67 / 12.69		
Output register diameter	D3				38.05 / 38.1		

**Performance of geared servo motors**

Gearbox Model	Gear Ratio n:1	Motor Model	Rated Speed (rpm)	Rated Torque (Nm)	Peak Torque (Nm)	Max Radial Load (12 mm from mounting face) (N)	Max Axial Load (N)	Typical Backlash (arc. min.)				
IP57-M01	5	M540 / M586	500	0.9	4.6	560	490	≤ 20				
		M543 / M589	440	1.8	6.4							
	10	M540 / M586	250	1.8	9.4							
		M543 / M589	220	3.6	12							
IP57-M02	25	M540 / M586	100	4	21			560	490	≤ 30		
		M543 / M589	80	8	24							
IP57-M02	50	M540 / M586	50	8	24					560	490	
		M540 / M586	25	12	24							
IP57-M03	250	M540 / M586	10	20	40	560	490					< 40

Other combinations of gear ratio and motor are available on request.

For reduced backlash specify HPE or HP series gearheads.