

MRIG Series Geared reversible AC synchronous motors

MRIG series geared ac synchronous motors provide accurate fixed speed operation.

Direction of rotation is electrically reversible by the use of a simple switch and a phasing capacitor as shown in the connection diagram.

The brushless nature of the ac synchronous motor coupled with its low speed operation provides a combination of long maintenance free life and quiet operation. The high torque capacity of the MRIG gearhead results in a unit which is ideally suited to heavy duty instrumentation or light duty industrial fixed speed drives.



Performance options:

Geared AC Reversible Synchronous motors	Ratio	Rated Speed (rpm)	Rated torque (Ncm) Parallel coils
MRIG02	5:1	100	12
-G06	25:2	40	30
-G11 with	25:1	20	54
-G17 111-36 series	50:1	10	107
-G22 ac motor	100:1	5.0	191
-G23	125:1	4	239
-G27	250:1	2	429
-G34	500:1	1.0	700

Insert: **S** denotes standard version with sleeve bearings on output.

Voltage Options:

MRIG...-111-36-104: 230 Vac-50 Hz
 MRIG...-111-36-504: 24 Vac-50 Hz

Phasing capacitor

0.22 micro F (330 Vac rating)
 18 micro F (63 Vac rating)

Geared AC Reversible Synchronous motors	Ratio	Rated Speed (rpm)	Rated torque (Ncm) Parallel coils
MRIG02	5:1	50	36
-G06	25:2	20	90
-G11 with	25:1	10	163
-G17 MV86111	50:1	5	325
-G22 ac motor	100:1	2.5	400
-G23	125:1	2	500
-G27	250:1	1	600
-G34	500:1	0.5	700

Insert: **S** denotes version equipped with sleeve bearings on output

Voltage Options:

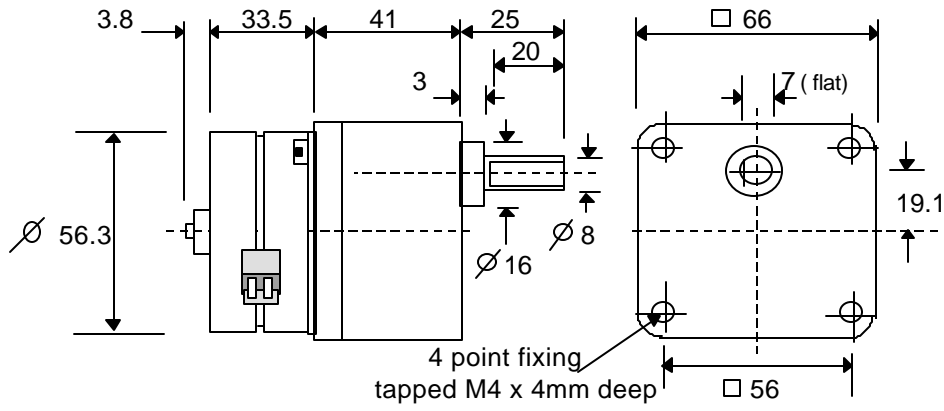
MRIG...-MV86111-P5: 230 Vac-50 Hz
 MRIG...-MV86111-P4 110 Vac-50 Hz
 MRIG...-MV86111-P3 24 Vac-50 Hz

Phasing capacitor

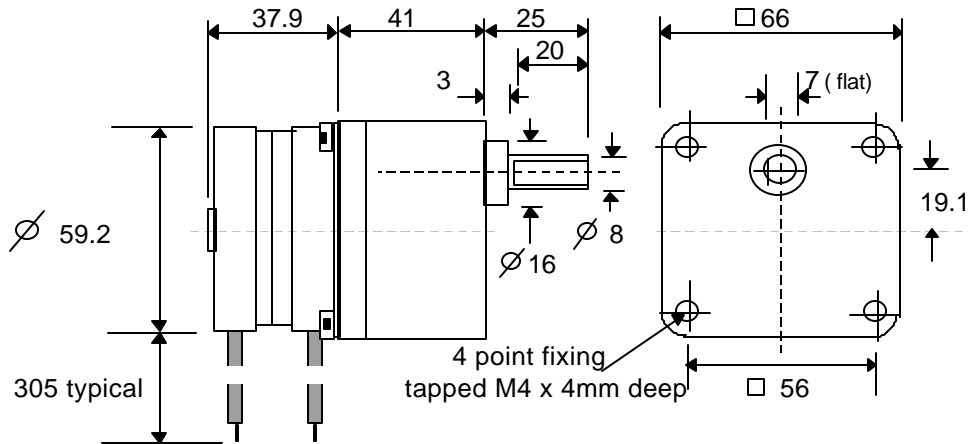
0.22micro F (400 Vac rating)
 0.82 micro F (250 Vac rating)
 18 micro F (63 Vac rating)

Note: MV86101 series (with 6mm dia. shaft) may also be used in place of MV86111 series.

MRIG-111-36 series



MRIG-MV86101 series



Coils in Parallel

