



Incremental encoder

- ▶ Only 30 mm diameter
- ▶ 3 short-circuit protected outputs 1, 2, 0
- ▶ Status output for warning indication
- ▶ Shock and vibration protected
- ▶ IP 67, encapsulation class
- ▶ 5 Vdc or 9...36 Vdc



310

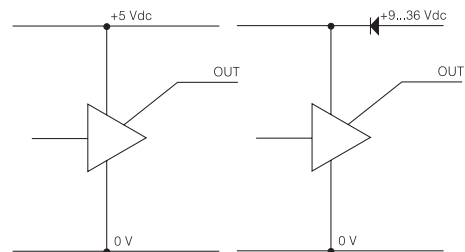
ELECTRICAL SPECIFICATION

Supply voltage +EV	9-36V	5V ±10%
	Polarity protected	---
Current consumption at no load	35mA @ 24V Max 110mA	70mA Max 150mA
Line counts	25, 50, 80, 100, 160, 200, 500, 512, 600, 1000, 1024, 1200	
Other Line counts on request	600, 1000, 1024, 1200	
Measuring steps	Max 4 x Line counts	
Accuracy		
Dividing error	± 50° el	
Channel separation	90° ± 25° el	
Outputs	HTL	TTL
	Short circuit protected	
Load max	± 20mA	
Max cable length	100m @ 50kHz	
U _{high} (at 10mA load)	> +EV - 3,0V	> 3,0V
U _{low} (at 10mA load)	< 0,5V	< 0,4V
Frequency range	0...200kHz	
STATUS signal		
Encoder OK	High level	
Warning / Failure	Low level	min 25ms

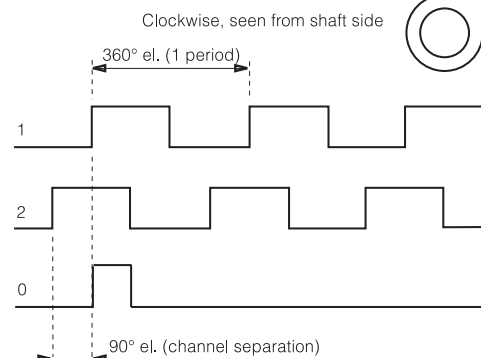
ACCESSORIES

Couplings	See datasheets for accessories
-----------	--------------------------------

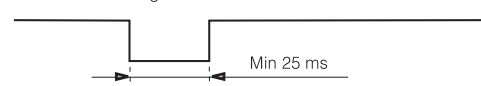
OUTPUT CIRCUIT



OUTPUT SIGNALS



STATUS = Warning

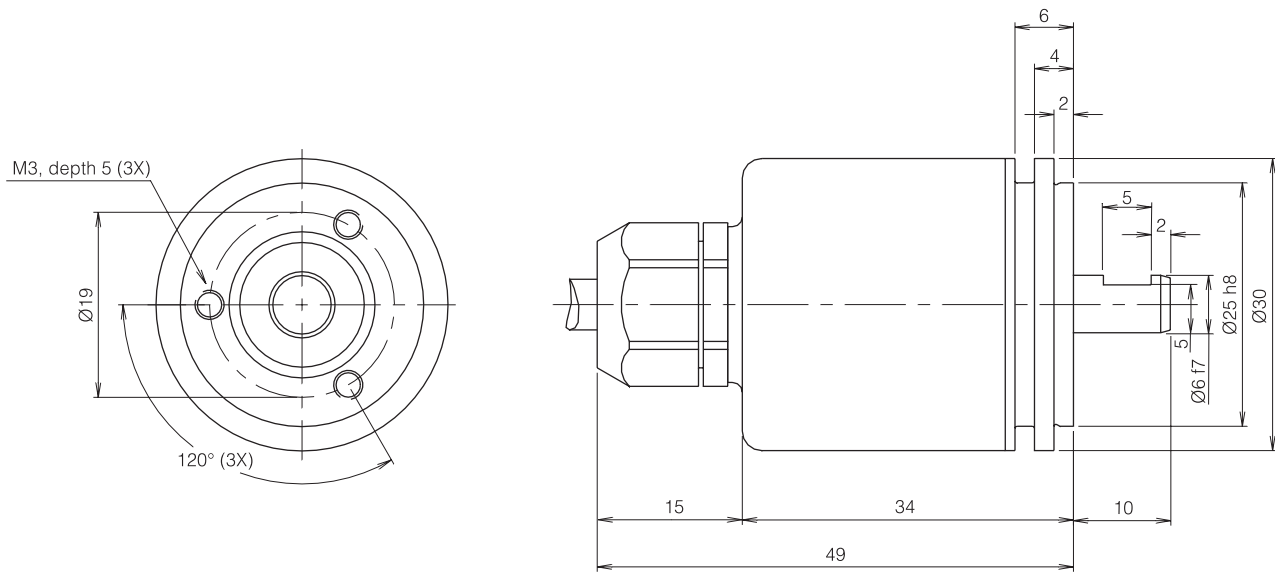


CONNECTION

Function	Colour
1	Green
2	Yellow
0	Brown
+ E Volt	Red
0 Volt	Blue
STATUS	Grey
Case	Shield



310



MECHANICAL SPECIFICATION

Shaft, Stainless steel	Ø6mm
Moment of inertia	0,15 x 10 ⁻⁶ kgm ²
Load max	
Radial	10N
Axial	10N
Speed max	3000 rpm (12000 rpm)
Code disc	Unbreakable acrylic glass
Temperature	
Operating	-35°C ... +70°C
Storage	-40°C ... +85°C
Housing	Aluminum
Weight	Approx. 70 g
Protection class	IP 67 according to IEC 529
Vibration	<100m/s ² (50...2000 Hz)
Shock	<1000m/s ² (11ms)
Cable	6x0,25mm ² PUR

ORDERING INFORMATION

3 1 0 - [] [] [] [] [] [] - [] [] [] [] [] []

Option

00 = Standard

Shaft

1 = Ø 6 mm with face

Connection

1 = Cable, axial 1.5 m

8 = Cable, axial xx m

Supply voltage

1 = 5 Vdc

8 = 9...36 Vdc

Internal use

1 = 25, 80, 100, 500, 512, 600 ppr

5 = 50, 160, 200, 1000, 1024, 1200 ppr

Line counts

Leine&Linde ISO 9001 certified

Leine&Linde AB, Box 8, SE-645 21 Strängnäs, Sweden. Olivehällsvägen 8.
Phone: +46 (0)152 265 00. Fax: +46 (0)152 265 05. E-mail: info@leinelinde.se

01-03-22 PS. Specifications can be changed without prior notice.

www.leinelinde.se