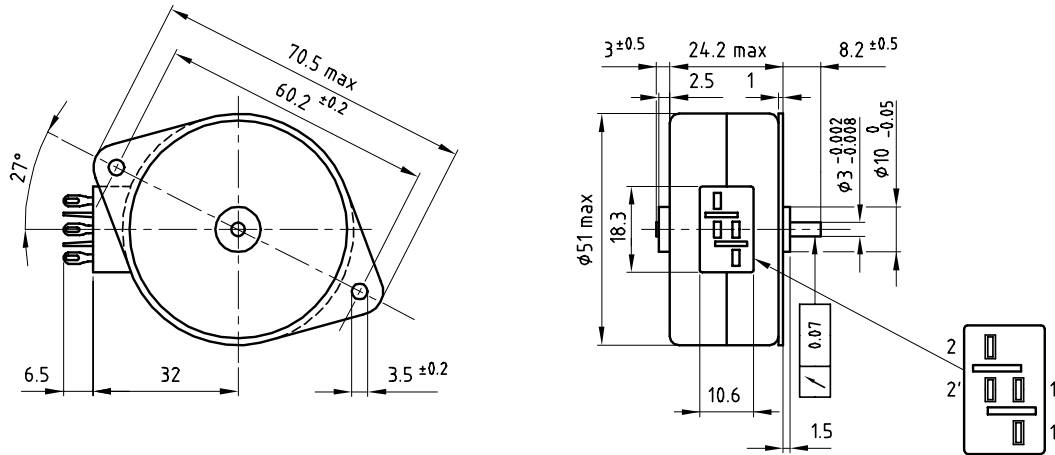


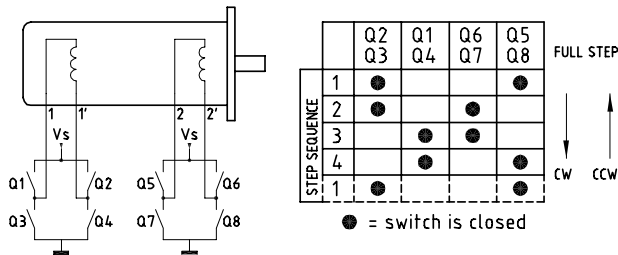
Dimensional drawing



Motor data

Motor order number	9904 112 +	31206
Number of phases		2
Drive Electronics		Bipolar
Nominal Voltage	[V]	5
Number of steps per revolution		48
Step angle	[°]	7.5
Step angle tolerance	[°]	± 0.4
Max. working Torque	[mNm]	45
Holding Torque	[mNm]	55
Absorbed power	[W]	3.5
Resistance per phase	[Ohm]	7
Inductance per phase	[mH]	18
Current per phase	[mA]	500
Thermal resistance winding-ambient	[K/W]	13
Rotor Moment of Inertia	[kgm <sup>2</sup> ]	1.1x10 <sup>-6</sup>

Electrical Connection



General data

x	Type of bearings	sleeve	
x	Maximum radial load	5	N
x	Maximum axial load	1.5	N
x	Ambient temp. range operating	-20/+70	°C
x	Ambient temp. range storage	-40/+100	°C
x	Mass of motor	170	g

Product combinations

- x Gearbox S52A
- x Gearbox S70A
- x Gearbox S70B