



Incremental encoders

- ▶ 2 short-circuit protected outputs 1, 2
- ▶ IP 65, encapsulation class
- ▶ 5 Vdc or 9...35 Vdc
- ▶ Robust housing for harsh environment
- ▶ Shock and vibration protected



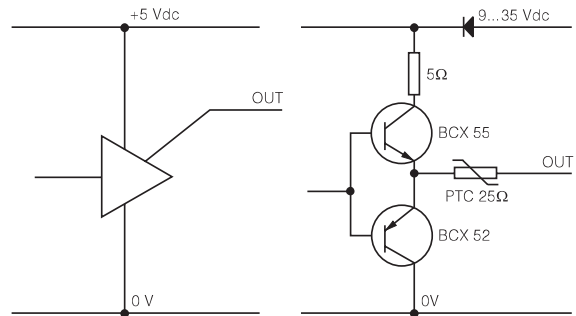
ELECTRICAL SPECIFICATION

Supply voltage +EV	9-35V	5V ±10%
	Polarity protected	---
Current consumption at no load	55mA @ 24V Max 80mA	45mA Max 70mA
Line counts (free choice)	1...2500 ppr	
Measuring steps	Max 10 000/r	
Accuracy		
Dividing error	± 50° el	
Channel separation	90° ± 45° el	
Outputs	High current HTL	TTL
	Short circuit protected	
Load max	± 40mA	± 20mA
Max cable length	350m @ 100kHz	100m @ 50kHz
U _{high} (at 40mA load)	> +EV - 4,0V	> 3,0V
U _{low} (at 40mA load)	< 2,5V	< 0,4V
Frequency range	0...100kHz	

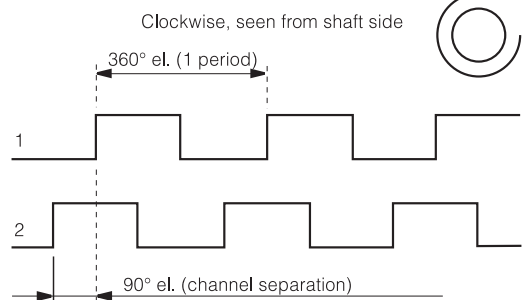
ACCESSORIES

Mating connector	
Options -00-	Part. No. 00201008 (4 pin PT)
Options -01- anged	Part. No. 00201007 (6 pin MS) Part. No. 00201015
Mounting bracket	See datasheets for accessories
Mounting kit	
Bearing box	
Couplings	

OUTPUT CIRCUIT



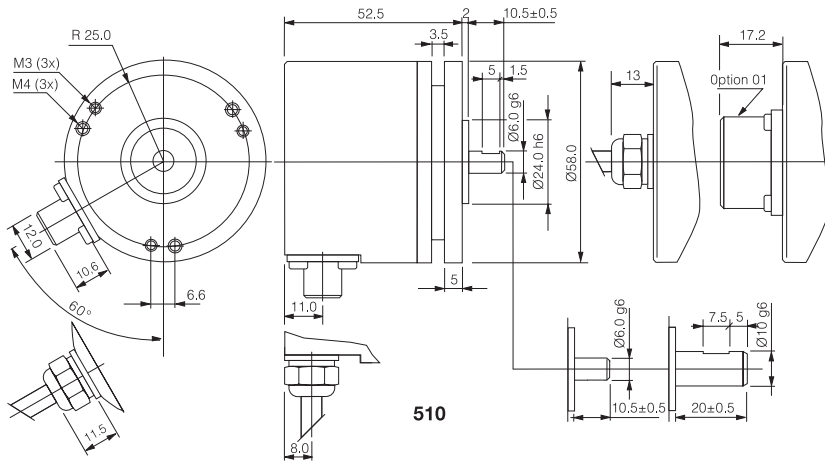
OUTPUT SIGNALS



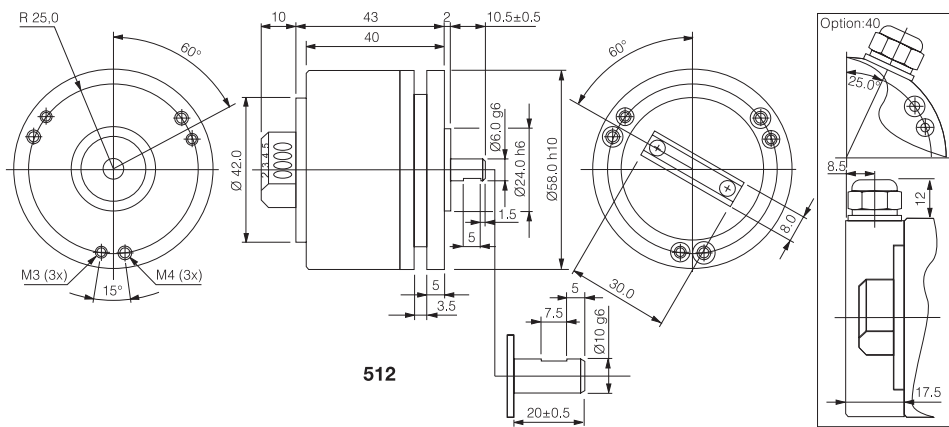
CONNECTION

Function	4 pin PT	6 pin MS	Terminal strip	Colour
1	A	A	5	Green
2	B	D	4	Yellow
+ E Volt	C	E	2	Red
0 Volt	D	F	3	Blue
Case				Shield

510/512



510



512

MECHANICAL SPECIFICATION

Shaft, Stainless steel	Ø6mm, Ø10mm
Moment of inertia	2,6 x 10 ⁻⁶ kgm ²
Load max	
Radial	120N
Axial	100N
Speed max	3000 rpm (6000 rpm)
Code disc	Unbreakable acrylic glass
Temperature	
Operating	-25°C ... +70°C
Storage	-40°C ... +85°C
Housing	Aluminum, anodized
Weight	Approx. 300g
Protection class	IP 65 according to IEC 529
Vibration	<100m/s ² (50...2000 Hz)
Shock	<1000m/s ² (11ms)
Cable	6x0,25mm ² 2x0,35mm ² PVC

ORDERING INFORMATION

5 1 - [] - []

Type

- 0 = Standard
- 2 = Terminal strip connector

Option

- 00 = Standard, cable or 4-pin PT
- 01 = 6 pin MS connector *
- 40 = Cover (Type -2)

Shaft

- 1 = Ø 6 mm with face
- 2 = Ø 6 mm without face *
- 6 = Ø 10 mm with face

Connection

- 0 = Connector, axial (Option -01-)
- 1 = Cable, axial 1.5 m *
- 2 = Connector, radial (Option -00-)*
- 3 = Cable, radial 1.5 m *
- 8 = Cable, axial xx m *
- 9 = Cable, radial xx m *

Supply voltage

- 1 = 5 Vdc *
- 6 = 9...35 Vdc

Internal use

- 1 = 1 ... 2500 ppr

Line counts

Leine&Linde ISO 9001 certified

Leine&Linde AB, Box 8, SE-645 21 Strängnäs, Sweden. Olivehällsvägen 8.
Phone: +46 (0)152 265 00. Fax: +46 (0)152 265 05. E-mail: info@leinelinde.se

* Not available for Type -2-

01-03-22 PS. Specifications can be changed without prior notice.