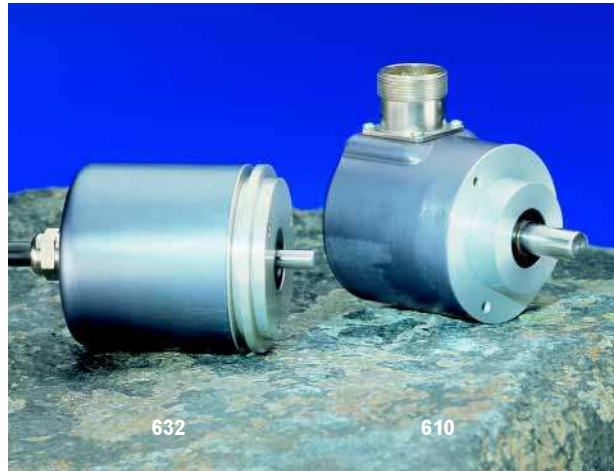




## Industrial incremental encoders

- ▶ 6 short-circuit protected outputs  
1,  $\bar{1}$ , 2,  $\bar{2}$ , 0,  $\bar{0}$
- ▶ IP 65, encapsulation class
- ▶ Free choice of line counts up to 5000
- ▶ 5 Vdc or 9...30 Vdc



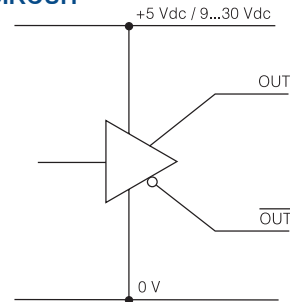
## ELECTRICAL SPECIFICATION

Supply voltage +EV	9-30V	5V $\pm$ 10%
	Polarity protected	---
Current consumption at no load	65mA @ 24V Max 75mA	45mA Max 70mA
Line counts (free choice)	1...5000 ppr	
Measuring steps	Max 20 000/r	
Accuracy		
Dividing error	$\pm 50^\circ$ el	
Channel separation	$90^\circ \pm 25^\circ$ el	
Outputs	HTL	RS-422, TTL
	Short circuit protected	
Load max	$\pm 40$ mA	$\pm 20$ mA
Max cable length	200m @ 50kHz	1km (TIA/EIA-422-B)
$U_{high}$ (at 10mA load)	$> +EV - 2,0V$	$> 3,0V$
$U_{low}$ (at 10mA load)	$< 1,15V$	$< 0,4V$
Frequency range	0...200kHz	

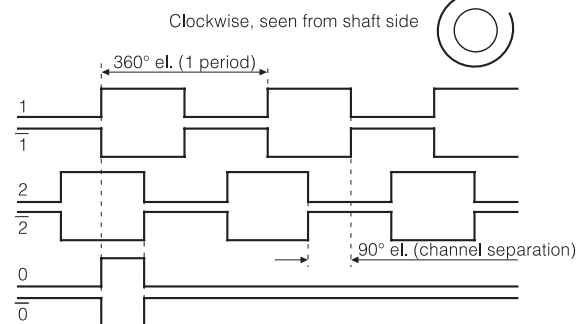
## ACCESSORIES

Mating connector	
Options -00-	Part. No. 00201009 (8 pin PT)
Options -02- anged	Part. No. 00201012 (10 pin MS)
Options -05-	Part. No. 01209090 (12 pin EML)
Mounting bracket	See datasheets for accessories
Mounting kit	
Bearing box	
Couplings	

## OUTPUT CIRCUIT



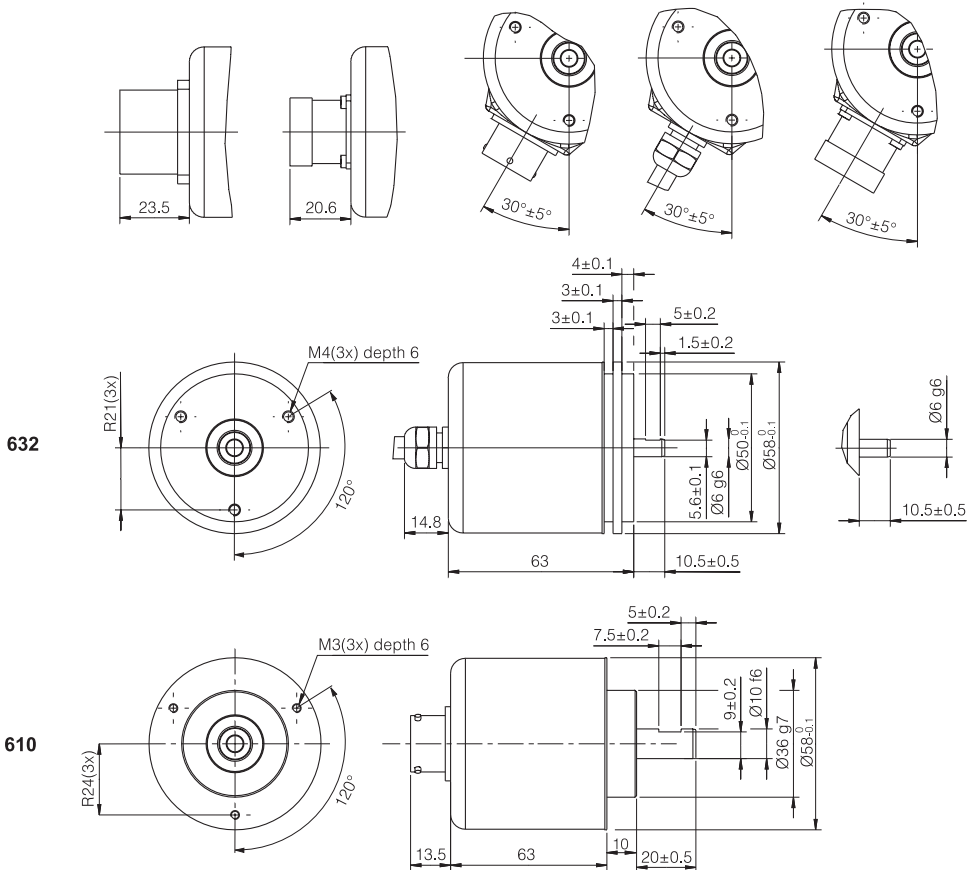
## OUTPUT SIGNALS



## CONNECTION

Function	8 pin PT	12 pin EML	10 pin MS	Colour
1	A	8	A	Green
$\bar{1}$	B	1	B	White
2	C	6	C	Black
$\bar{2}$	D	5	D	Yellow
+ E Volt	E	12	E	Red
0 Volt	F	10	F	Blue
0	G	3	G	Brown
$\bar{0}$	H	4	H	Violet
Case				Shield

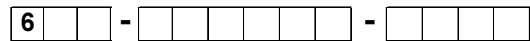
# 610/632



## MECHANICAL SPECIFICATION

Shaft, Stainless steel	Ø 6mm, 10mm
Moment of inertia	2,6 x 10 <sup>-6</sup> kgm <sup>2</sup>
Load max	
Radial	60N
Axial	50N
Speed max	6000 rpm (12000 rpm)
Code disc	Unbreakable acrylic glass or glass disc
Temperature	
Operating	-25°C ... +70°C
Storage	-25°C ... +70°C
Housing	Aluminum, anodized
Weight	Approx. 300g
Protection class	IP 65 according to IEC 529
Vibration	<100m/s <sup>2</sup> (50...2000 Hz)
Shock	<1000m/s <sup>2</sup> (11ms)
Cable	6x0,25mm <sup>2</sup> 2x0,35mm <sup>2</sup> PVC

## ORDERING INFORMATION



### Type

10 = Clamping flange  
32 = Syncro flange

### Option

00 = Standard, cable or 8-pin PT  
02 = 10 pin MS connector  
05 = 12 pin EML connector

### Stub shaft

1 = Ø 6mm face  
2 = Ø 6mm round  
6 = Ø 10mm face

### Connection

0 = Connector, axial (option 00, 02, 05)  
1 = Cable, axial 1.5 m  
2 = Connector, radial (option 00, 05)  
3 = Cable, radial 1.5 m  
8 = Cable, axial xx m  
9 = Cable, radial xx m

### Supply voltage

1 = 5 Vdc  
5 = 9...30 Vdc  
7 = 9...30 Vdc (RS-422 outputs)

### Internal use

1 = 1 ... 2500 ppr  
2 = 2501 ... 4999 ppr  
4 = 4096 or 5000 ppr/glass disc

### Line counts

**Leine & Linde** ISO 9001 certified

Leine & Linde AB, Box 8, SE-645 21 Strängnäs, Sweden. Olivehällsvägen 8.  
Phone: +46 (0)152 265 00. Fax: +46 (0)152 265 05. E-mail: info@leinelinde.se

01-03-22 PS. Specifications can be changed without prior notice.