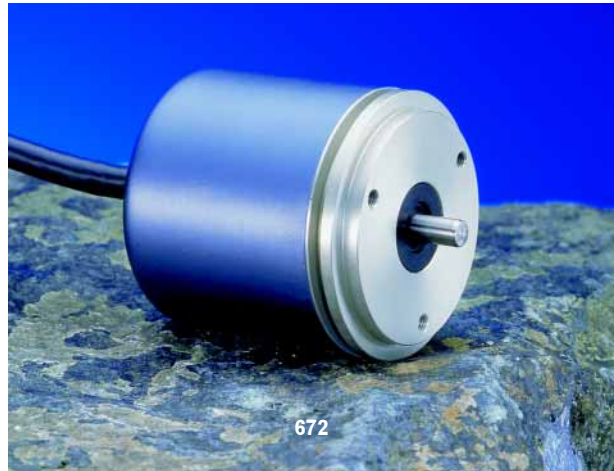




Absolute singleturn encoder

- ▶ 12-bit
- ▶ Binary or Gray-code possible with Excess-code
- ▶ Change of counting direction via input signal
- ▶ Parallel output
- ▶ 11...30 Vdc or 5 Vdc



672

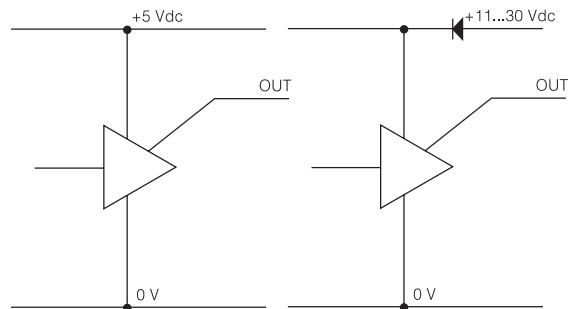
ELECTRICAL SPECIFICATION

| | | |
|----------------------------------|-------------------------------------------------|--------------------|
| Supply voltage +EV | 11-30V | 5V ±10% |
| | Polarity protected | --- |
| Current consumption at no load | 100mA @ 24V Max 140mA | 200mA Max 240mA |
| Resolution | 12 Bit, 4096 or 3600 | |
| Accuracy | ± ½ LSB | |
| Outputs, Parallel | HTL | TTL, RS-423 |
| Code | Gray, Binary, Excess Short circuit protected | |
| Load max | ± 20mA | |
| U _{high} (at 10mA load) | > +EV - 3,0V | > 3,0V |
| U _{low} (at 10mA load) | < 0,4V | < 0,4V |
| Frequency range | 0...100kHz | |
| Inputs | DIRECTION | |
| +EV = 11-30V | | |
| U _{high} | > +EV x 0,6 | |
| U _{low} | < +EV x 0,25 | |
| +EV = 5V | | |
| U _{high} | > 2V | |
| U _{low} | < 0,8V | |
| Active | High (CCW) | |
| Not connected | Low (CW) | |
| Delay | 150µs | |

ACCESSORIES

| | |
|------------------|--------------------------------|
| Mating connector | Part. No. 00201010 (19 pin PT) |
| Mounting bracket | See datasheets for accessories |
| Mounting kit | |
| Bearing box | |
| Couplings | |

OUTPUT CIRCUIT

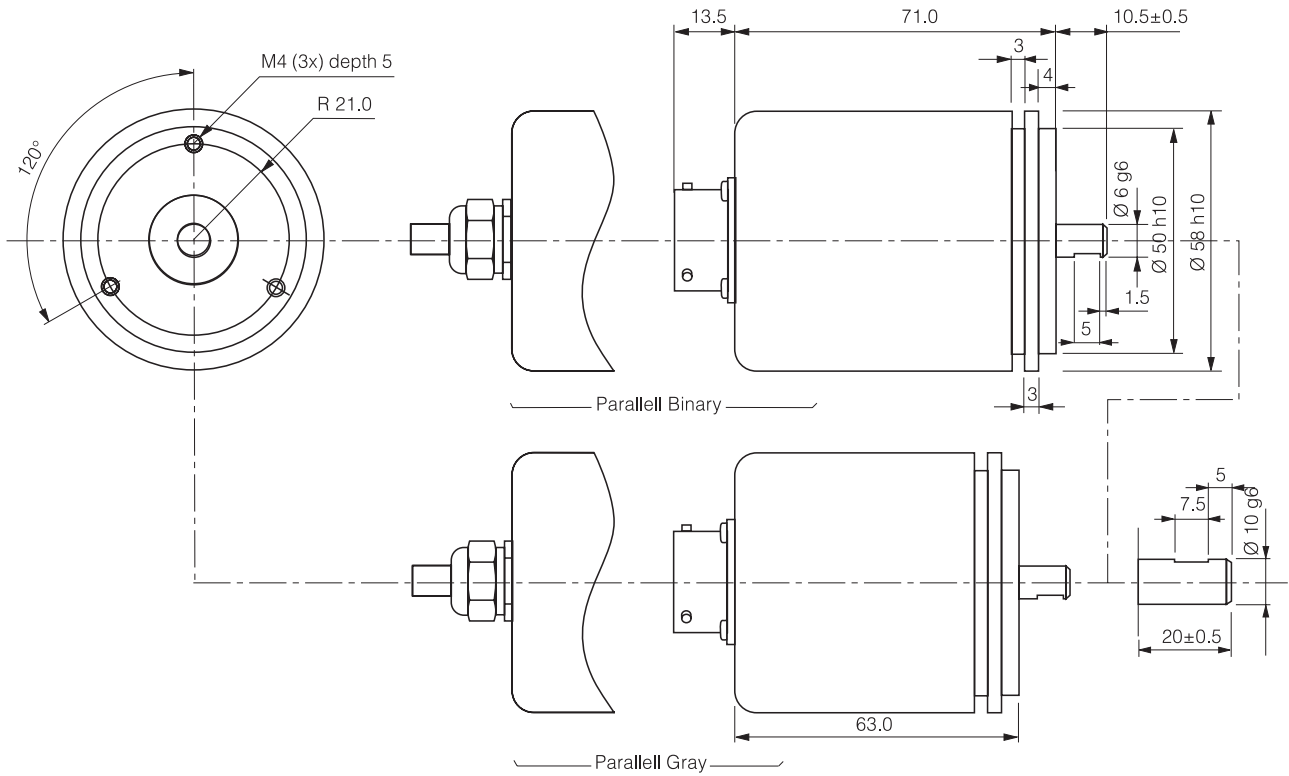


CONNECTION

| Function | 19 pin PT | Colour |
|-----------|-----------|--------------|
| Bit 12 | A | White |
| Bit 11 | B | Brown |
| Bit 10 | C | Green |
| Bit 9 | D | Yellow |
| Bit 8 | G | Grey |
| Bit 7 | H | Pink |
| 0 Volt | F | Blue |
| + E Volt | E | Red |
| Bit 6 | J | Black |
| Bit 5 | K | Violet |
| Bit 4 | L | Grey/Pink |
| Bit 3 | M | Blue/Red |
| Bit 2 | N | White/Green |
| Bit 1 | P | Brown/Green |
| DIRECTION | V | White/Yellow |
| Case | | Screen |

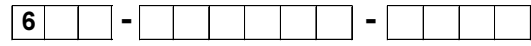


672 PARALLEL



| MECHANICAL SPECIFICATION | |
|--------------------------|-----------------------------------------|
| Shaft, Stainless steel | Ø 6mm, 10mm |
| Moment of inertia | 1,9 x 10 ⁻⁶ kgm ² |
| Load max | |
| Radial | 20N |
| Axial | 10N |
| Speed max | |
| Mechanical | 12000 rpm |
| Electrical | 1500 rpm |
| Code disc | Unbreakable acrylic glass |
| Temperature | |
| Operating | -25°C ... +60°C |
| Storage | -25°C ... +70°C |
| Housing | Aluminum, anodized |
| Weight | Approx. 300g |
| Protection class | IP 65 according to IEC 529 |
| Vibration | <100m/s ² (50...2000 Hz) |
| Shock | <1000m/s ² (11ms) |
| Cable | 16x0,25mm ² PVC |

ORDERING INFORMATION



Type
72 = Syncro flange

Option
00 = Gray output
01 = Binary output

Shaft
1 = Ø 6 mm with face
6 = Ø 10 mm with face

Connection
0 = Connector, axial
1 = Cable, axial 1.5 m
8 = Cable, axial xx m

Supply voltage
1 = 5 Vdc
5 = 11...30 Vdc

Internal use
3 = 12 bit

Resolution
3600 or 4096



Leine & Linde AB, Box 8, SE-645 21 Strängnäs, Sweden. Olivehällsvägen 8.
Phone: +46 (0)152 265 00. Fax: +46 (0)152 265 05. E-mail: info@leinelinde.se

01-03-22 PS. Specifications can be changed without prior notice.