



Robust incremental encoder with commutation outputs

- ▶ 12 mm hollow shaft with extra sturdy bearings
- ▶ Shock and vibration protected
- ▶ IP 65, encapsulation class
- ▶ Short-circuit protected outputs



ELECTRICAL SPECIFICATION

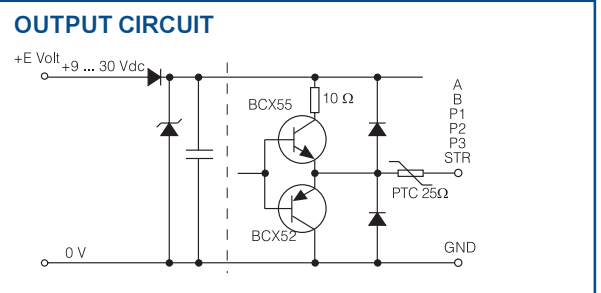
Supply voltage +EV	9-30V	
	Polarity protected	
Current consumption at no load	60mA @ 24V Max 100mA	
Line counts / poles	1024/2, 1536/3, 2048/4, 2560/5 ppr	
Measuring steps	4 x Line counts	
Accuracy	A and B	P1, P2, P3
Dividing error	$\pm 50^\circ$ el	$\pm 1^\circ$ mech for P1 -
Channel separation	$90^\circ \pm 25^\circ$ el	flank to STR center
Outputs	High current HTL	
Load max	± 40 mA	
Cable length max	350m @ 100kHz	
U_{high} (at 40mA load)	$> +EV - 4,0V$	
U_{low} (at 40mA load)	$< 2,5V$	
Frequency range	0...100kHz	

ACCESSORIES

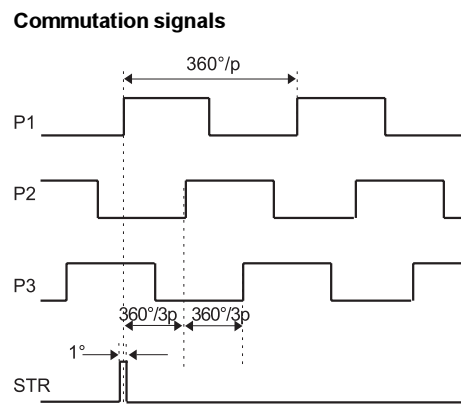
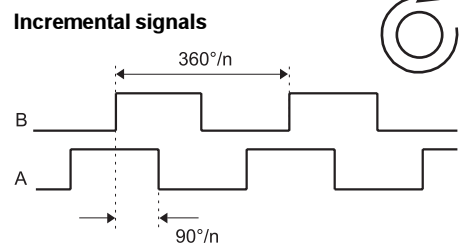
Torque arm M5	Part. No. 01208013
---------------	--------------------

CONNECTION

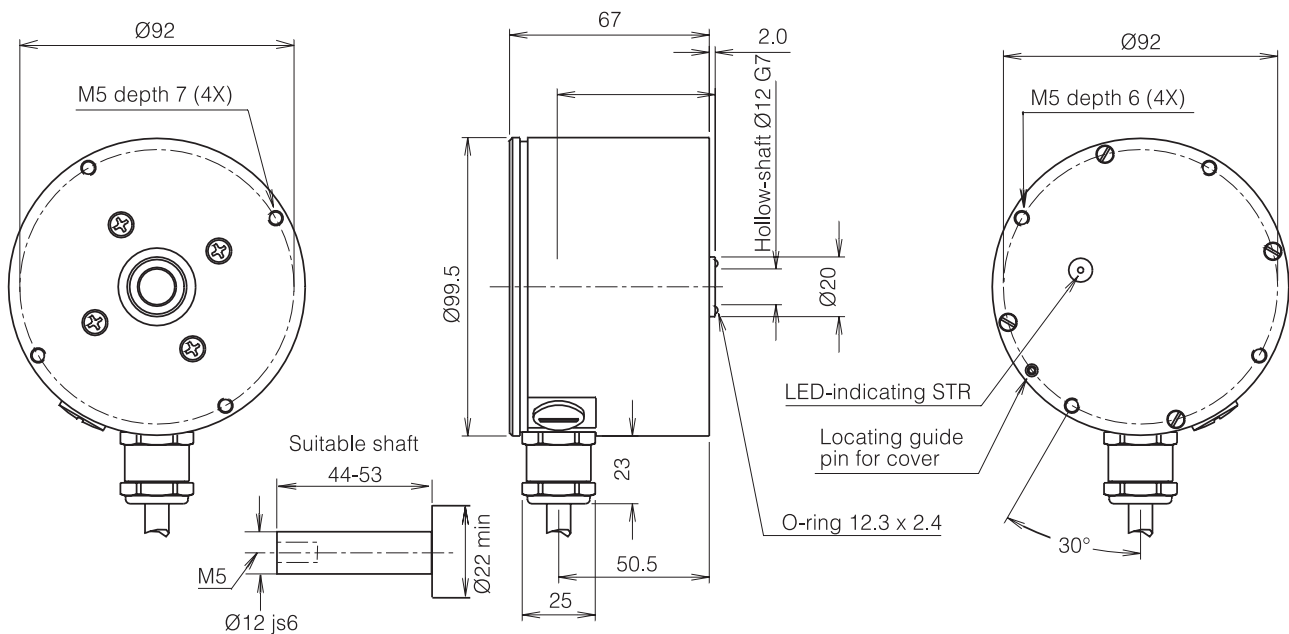
Function	Colour
+ E Volt	Red
0 Volt	Blue
A	White
B	Black
P1	Yellow
P2	Green
P3	Brown
STR	Violet
Case	Shield



OUTPUT SIGNALS



865 COMMUTATION



MECHANICAL SPECIFICATION

Hollow-shaft	Ø 12mm	Stainless steel
Moment of inertia	42 x 10 ⁻⁶ kgm ²	
Load max		
Radial	300N	
Axial	100N	
Speed max	3500 rpm	
Code disc	glass disc	
Temperature		
Operating	-20°C ... +80°C	
Storage	-25°C ... +80°C	
Housing	Aluminum, anodized	
Weight	Approx. 1250g	
Protection class	IP 65 according to IEC 529	
Vibration	<100m/s ² (50...2000 Hz)	
Shock	<1000m/s ² (11ms)	

ORDERING INFORMATION

Available models

	Pulse rate	P1, P2, P3
865 900010	1024 ppr	2 ppr
865 900011	1536 ppr	3 ppr
865 900012	2048 ppr	4 ppr
865 900013	2560 ppr	5 ppr

Leine&Linde ISO 9001 certified

Leine&Linde AB, Box 8, SE-645 21 Strängnäs, Sweden. Olivehällsvägen 8.
Phone: +46 (0)152 265 00. Fax: +46 (0)152 265 05. E-mail: info@leinelinde.se

01-03-22 PS. Specifications can be changed without prior notice.