

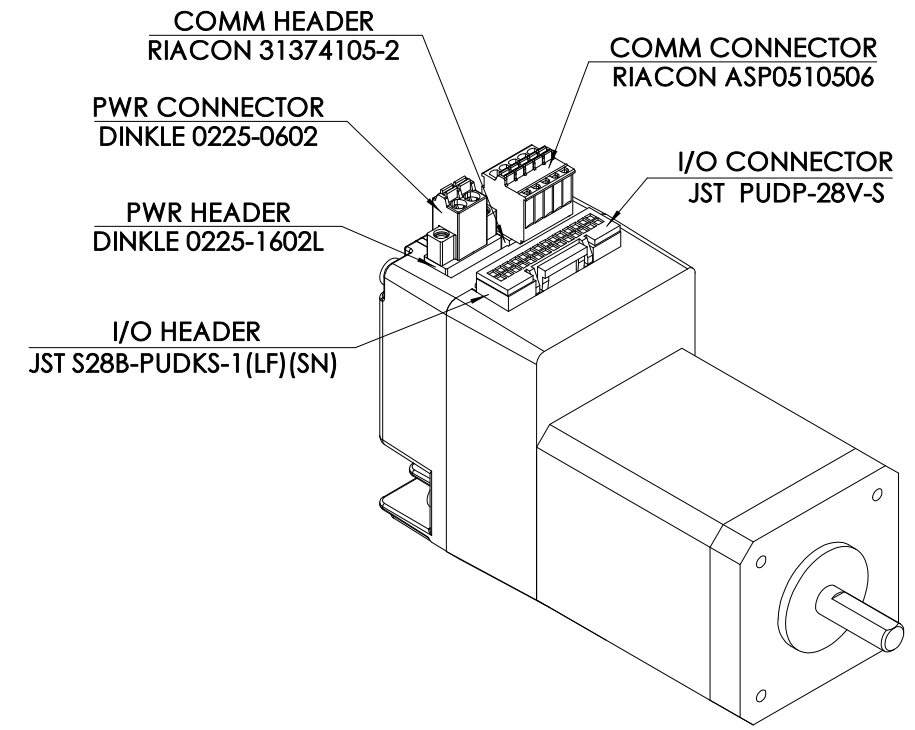
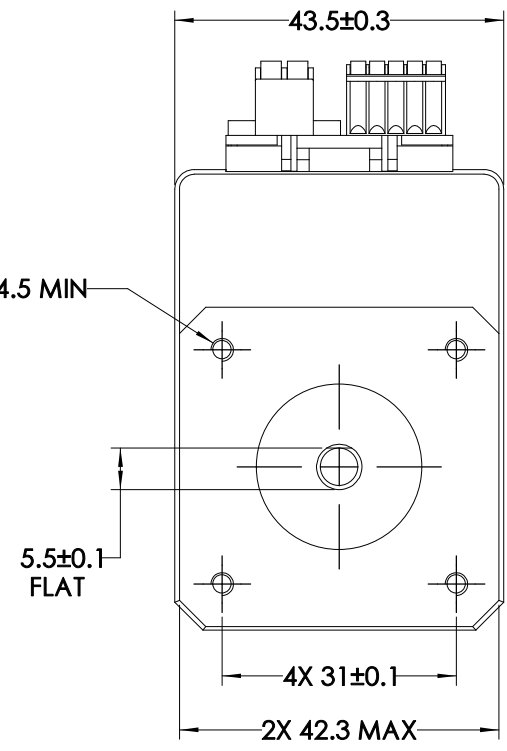
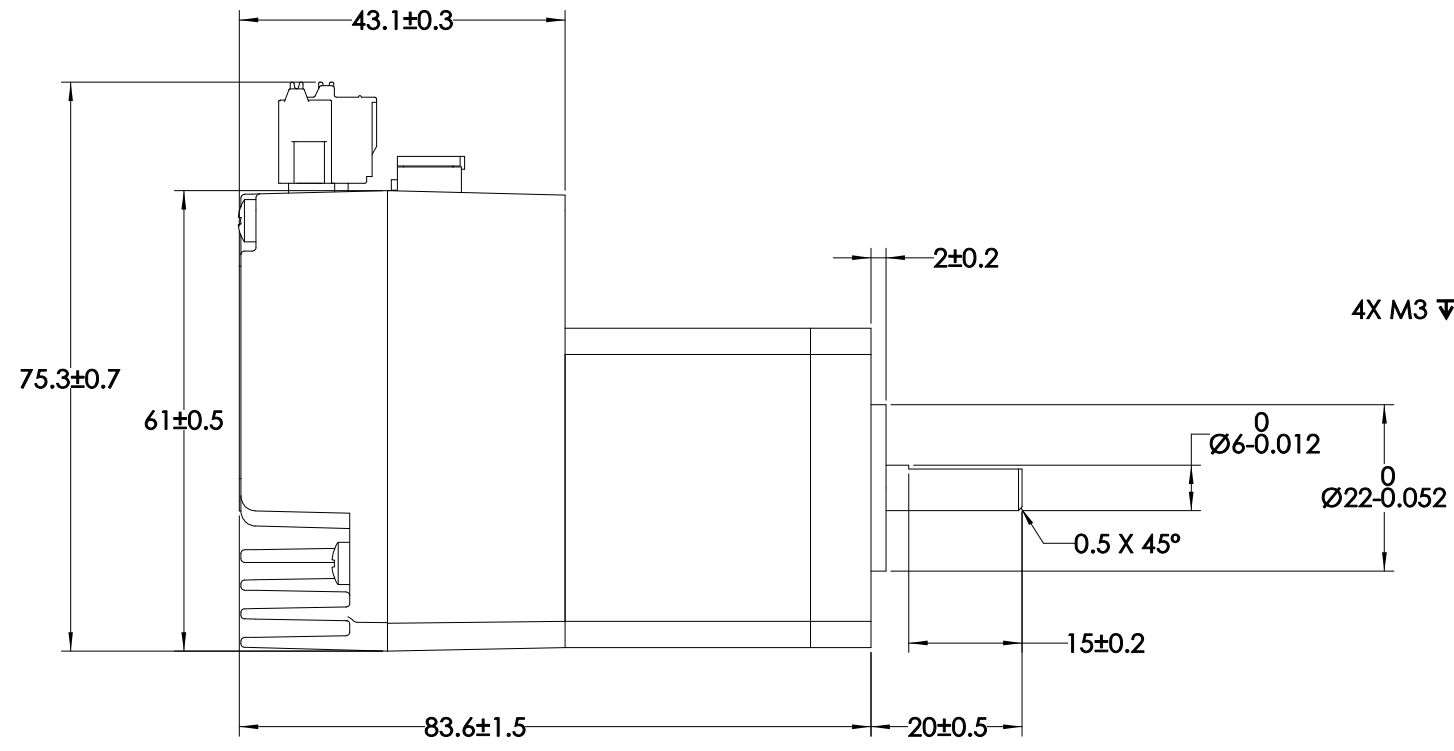
4

3

2

1

REVISIONS				
ECO #	REV.	DESCRIPTION	DATE	APPROVED
7135	A	INITIAL RELEASE	1/20/2015	J. KORDIK
8698	B	POWER CONNECTOR PART CHANGE, SPECS ADDED	8/9/2021	M. MARONEY



SPECIFICATIONS

INPUT VOLTAGE	12 TO 48 VDC	HOLDING TORQUE	0.6N · m
STEP ANGLE	1.8°	MAX AXIAL LOAD	5.1N [2]
STEP ACCURACY	±0.09°	MAX RADIAL LOAD	20N [2]
OPERATING TEMP	0 TO 40°C	RADIAL PLAY	0.02mm MAX (500gf RADIAL LOAD)
STORAGE TEMP	-20 TO 50°C	END PLAY	0.08mm MAX (500gf AXIAL LOAD)
TEMP RISE	80°C MAX	SHAFT RUNOUT	0.05mm T.I.R. MAX
ROTOR INERTIA	82g · cm <sup>2</sup>	WEIGHT	520g
IP RATING	IP20	APPROVALS	CE, RoHS

NOTES:

- REFER TO PRODUCT HARDWARE MANUAL ON APPLIED-MOTION.COM FOR MORE DETAILS.
- SHAFT LOADS FOR L<sub>10</sub> LIFE OF 20,000 HOURS AT 1000 RPM. RADIAL LOAD AT END OF SHAFT.

<p><b>Applied Motion Products</b> A MOONS' COMPANY</p> <p>PROPRIETARY AND CONFIDENTIAL</p> <p>THE INFORMATION CONTAINED IN THIS DRAWING IS THE SOLE PROPERTY OF APPLIED MOTION PRODUCTS. ANY REPRODUCTION IN PART OR AS A WHOLE WITHOUT THE WRITTEN PERMISSION OF APPLIED MOTION PRODUCTS IS PROHIBITED.</p>	THIRD ANGLE PROJECTION		NAME	DATE	<p>TITLE:</p> <p><b>INTEGRATED StepSERVO MOTOR</b></p>		
	UNLESS OTHERWISE SPECIFIED: DIMENSIONS ARE IN MILLIMETERS	DRAWN	Tang Jiadong	Jul 19, 2021			
	TOLERANCES:	PRE.CHECK	Guo Wenxiang	Jul 19, 2021			
	- ANGULAR: ± 0.5	PRE.APPROVAL	Wang Wei	Jul 19, 2021			
	- ONE DECIMAL PLACE: ± 0.25	FIN.CHECK	Y. Lapnet	Aug 09, 2021			
- TWO DECIMAL PLACES: ± 0.13	COMMENTS:						
MATERIAL	-				SIZE	DWG. NO.	REV
FINISH	-				<b>B</b>	<b>TSM17Q-3AG</b>	<b>B</b>
DO NOT SCALE DRAWING					SCALE: 1:1		SHEET 1 OF 1

4

3

2

1