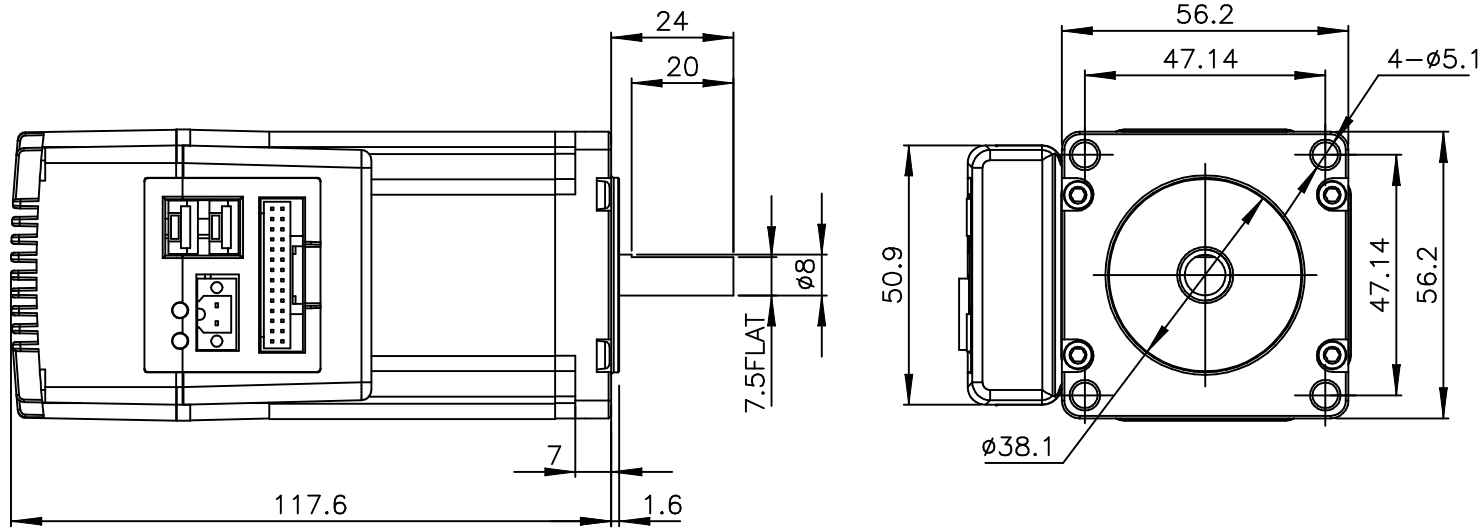
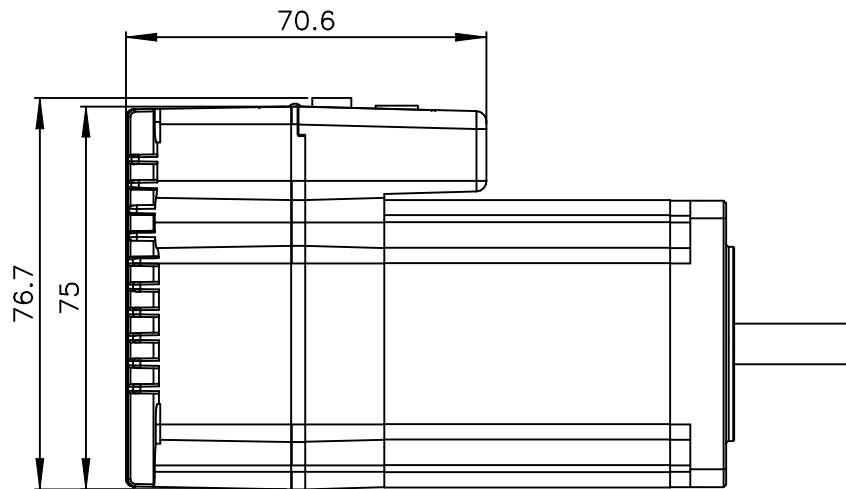


REVISIONS				
ECD NO.	REV	DESCRIPTION	DATE	APPROVED
7135	A	INITIAL RELEASE	1/20/15	J KORDIK



TSM23S-3RG



TOLERANCES	THIRD ANGLE PROJECTION		APPLIED MOTION PRODUCTS, INC.	
*ALL DIMENSIONS IN MM			INTEGRATED STEP MOTOR OUTLINE DRAWING	
DECIMALS: MM				
X.XX = ± 0.13	DRAWN	K.KESLER	1/19/15	B DWG NO. TSM23S-3RG REV A
X.X = ± 0.25	CHECKED	-	-	
ANGLES:	APPROVED	-	-	SCALE: NONE
MACH. = $\pm 0.5^\circ$	COMPUTER DATA	-	-	SHEET 1 OF 1
CHAM. = $\pm 5^\circ$	BASE DRAWING	-	-	