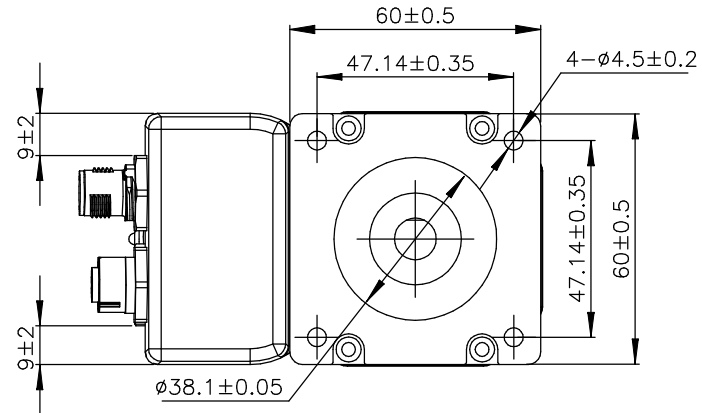
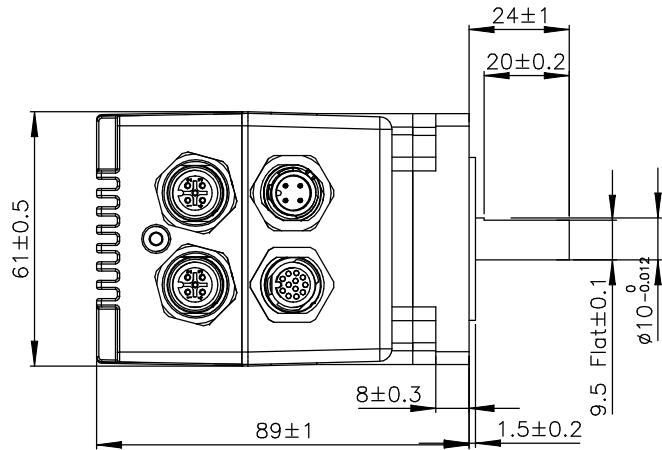
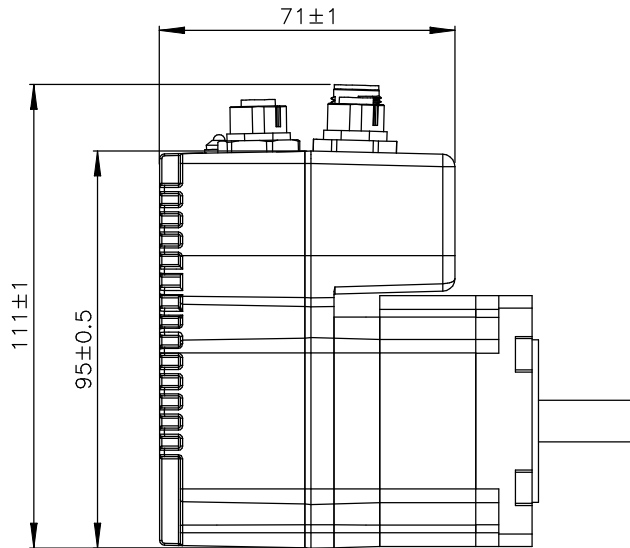

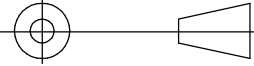


REVISIONS				
ECO NO.	REV	DESCRIPTION	DATE	APPROVED
7179	A	INITIAL RELEASE	5/15/15	J.KORDIK



**TXM24C-1CG**



<p>TOLERANCES</p> <p>*ALL DIMENSIONS IN MM</p> <p>DECIMALS: MM</p> <p>X.XX = ±0.13</p> <p>X.X = ±0.25</p> <p>ANGLES:</p> <p>MACH. = ±0.5°</p> <p>CHAM. = ±5°</p>	THIRD ANGLE PROJECTION		 <p>APPLIED MOTION PRODUCTS, INC.</p>	
				<p>INTEGRATED STEP MOTOR OUTLINE DRAWING</p>
	APPROVALS	DATE		
	DRAWN	DATE		
CHECKED	K.KESLER	3/23/15	<p>B DWG NO. TXM24C-1CG</p>	
APPROVED	-	-		REV A
COMPUTER DATA BASE DRAWING	SCALE: NONE		SHEET 1 OF 1	