

### 08MSM - NEMA 8 stepper motor, small size design, higher torque, 2 phase, 1.8°

- Holding torque, up to 32 mNm
- Standard models available from stock
- Cost optimised OEM range
- Mechanical or electrical customisation is available upon request
- Part of wide range in NEMA sizes 08, 11, 14, 17, 23 and 34

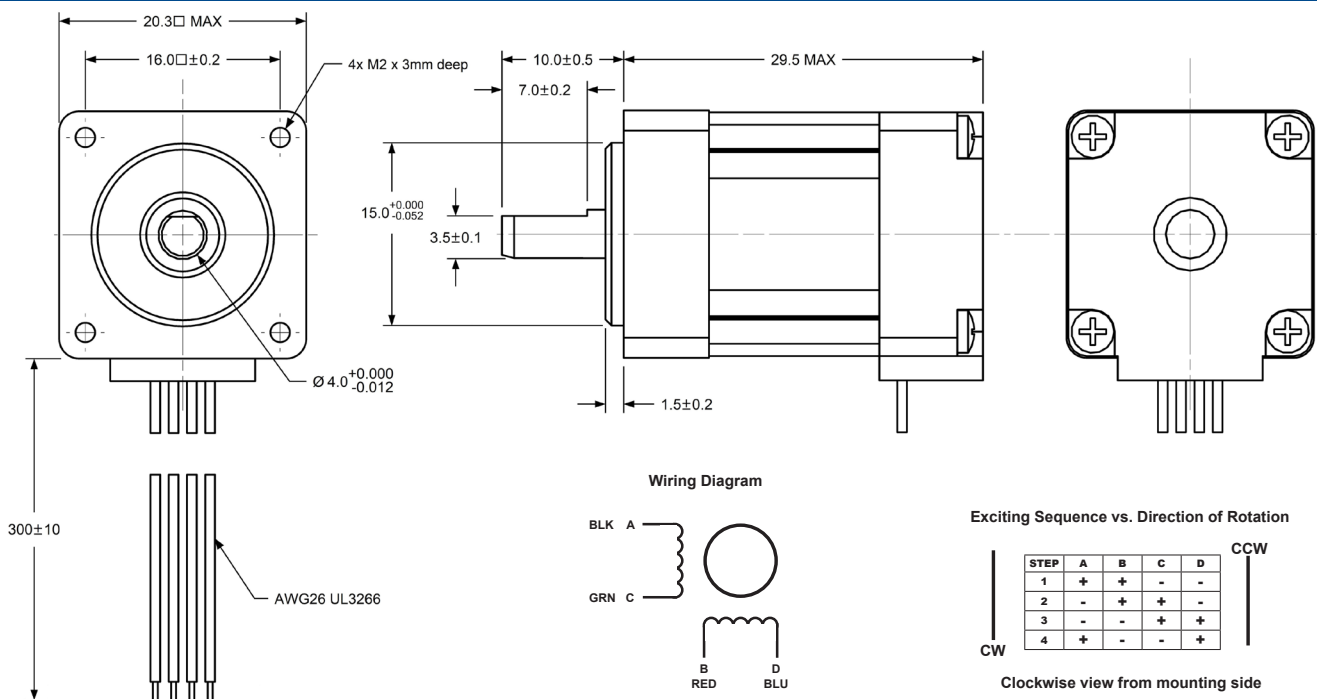


### 08MSM - Specification

Mclennan Part Number	Connection	Rated Current Amps	Holding Torque Nm Typ	Resistance $\Omega$ $\pm 10\% @ 20^\circ\text{C}$	Inductance mH	Detent Torque mNm	Rotor Inertia g cm <sup>2</sup>	Motor Weight kg
08MSM030005-S	Leads	0.5	0.03	8.8	4.5	2	1.6	0.04
08MSM030007-S	Leads	0.7	0.03	4.5	2.2	1.5	1.6	0.04

Parameter	Value	Parameter	Value	Parameter	Value
Phase	2	Coil Type	Bi-Polar	Certification	RoHS
Step Angle	1.8°	Terminal Number	4	IP Rating	IP40
Shaft	Single	Connection	Leads		
Frame Size	NEMA08 (20.3 mm)	Insulation Class	B (130°C)		

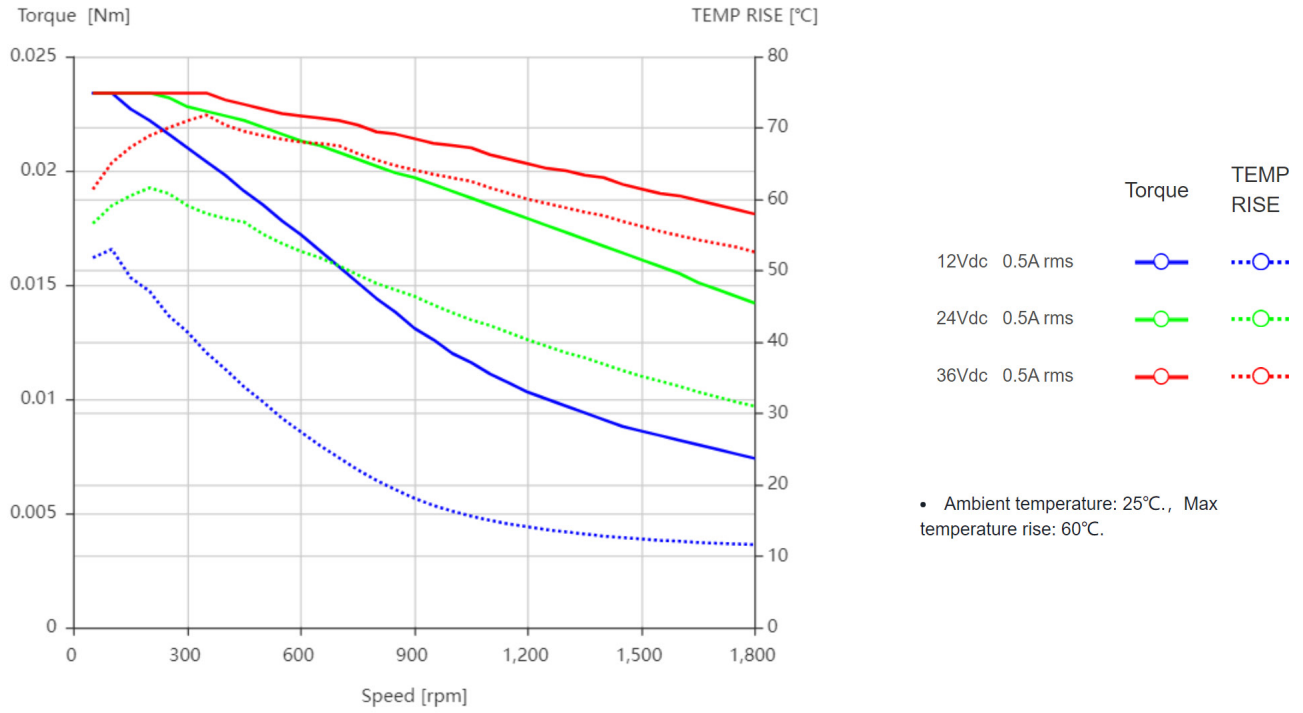
### 08MSM - Dimensions (mm)





## 08MSM - Torque Curves Typical performance (Pull-Out torque)

08MSM030005-S



08MSM030007-S

